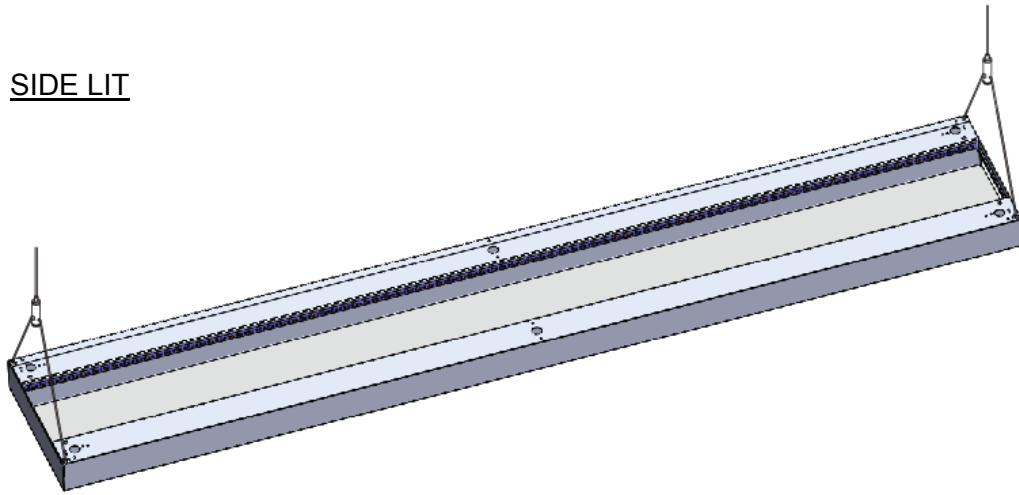


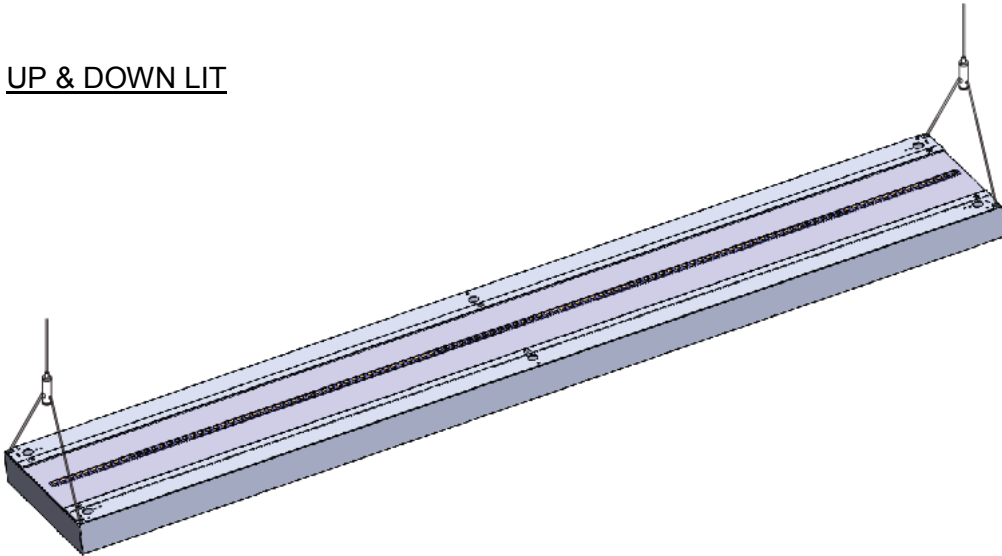
12502-12113 INSTALLATION INSTRUCTIONS FOR PENDANT MOUNT

FOR SIDE, UP&DOWN LIT

SIDE LIT



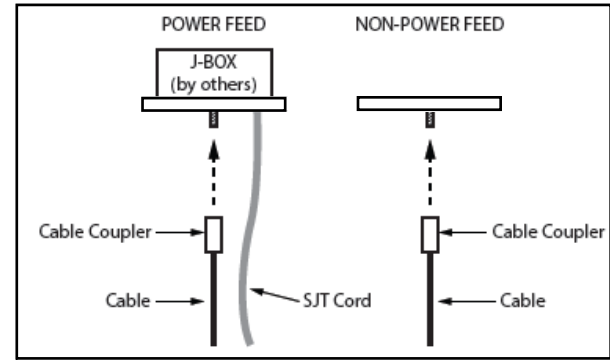
UP & DOWN LIT



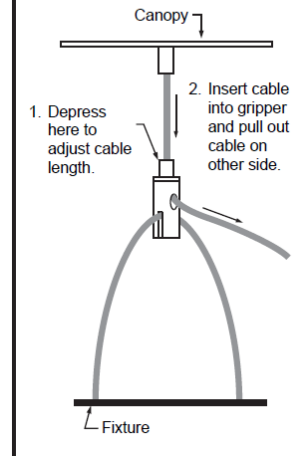
WARNING:



RISK OF FIRE AND ELECTRICAL SHOCK. FIXTURE MUST BE INSTALLED BY A QUALIFIED ELECTRICIAN ONLY IN ACCORDANCE WITH NATIONAL, LOCAL BUILDING AND ELECTRICAL CODES. DISCONNECT POWER AT ELECTRICAL PANEL BEFORE SERVICING.



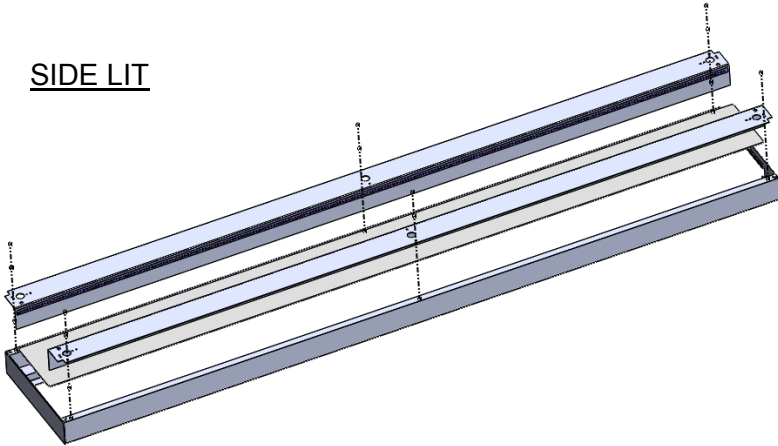
***Adjustable Cable Option***



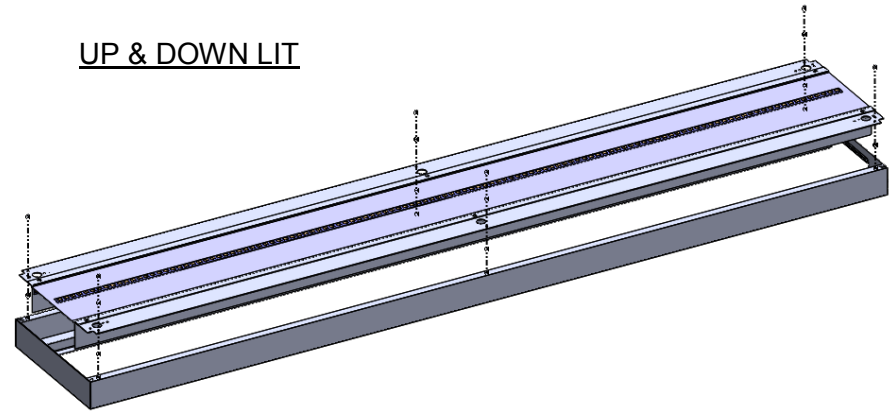
\* Only the first 4FT or 8FT of one-piece fixture requires 2 aircraft cables on both end; the rest of continuous run requires minimum of 1 aircraft cable.

1. Suspend mount fixtures in numerical order keeping the same alphabet family.
2. Remove 6pcs of screws per 4FT and put aside the module plates and lens.

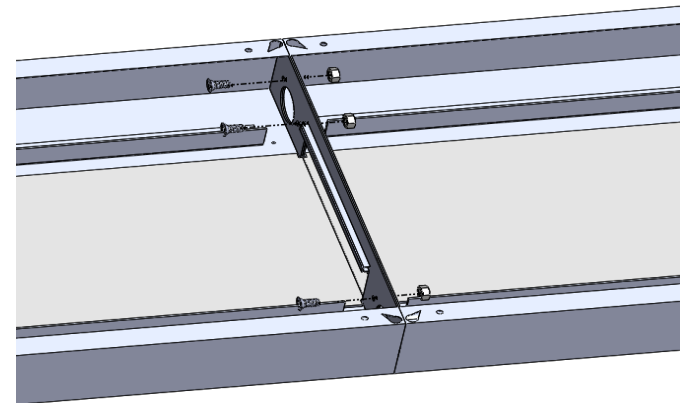
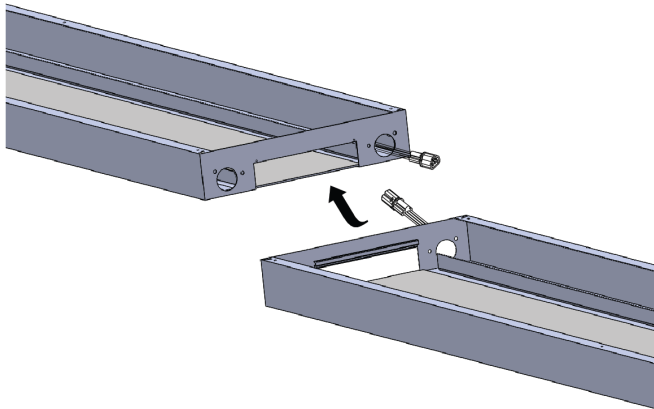
SIDE LIT



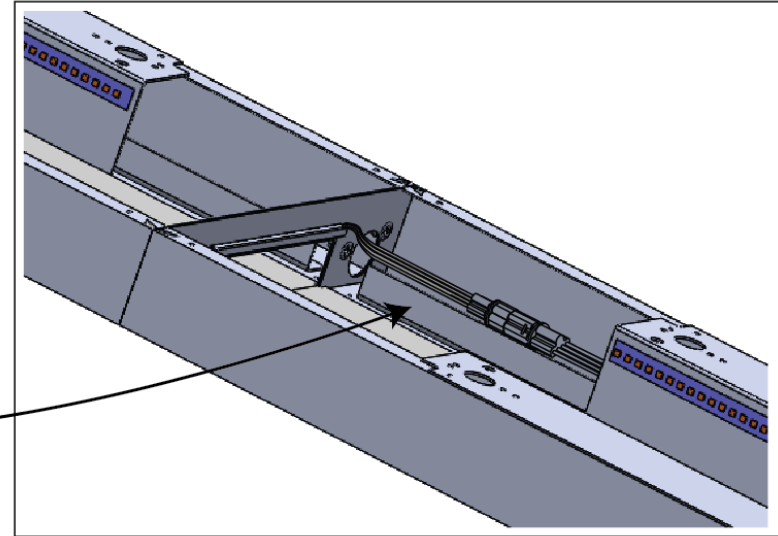
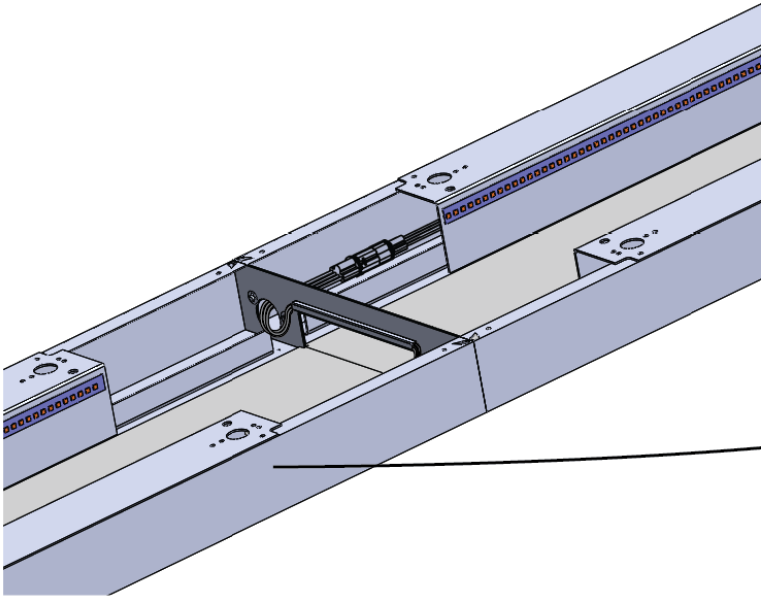
UP & DOWN LIT



3. Align the next continuous fixture, connect appropriate disconnectors with matching colored-wires, and use 4pcs of bolts and nuts to fix into continuous run.

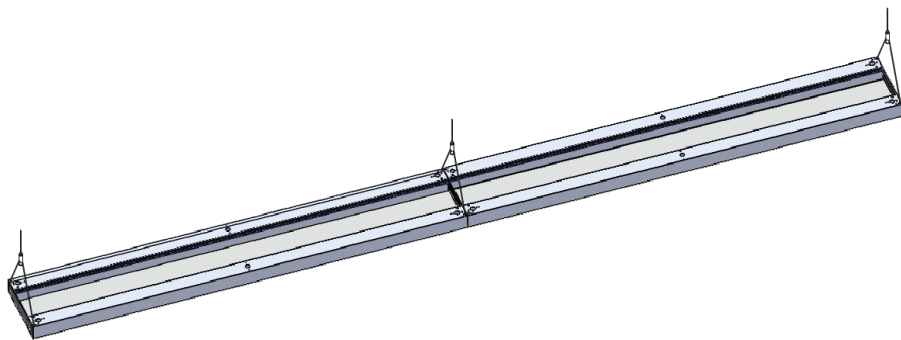


12502-12113 INSTALLATION INSTRUCTIONS FOR PENDANT MOUNT

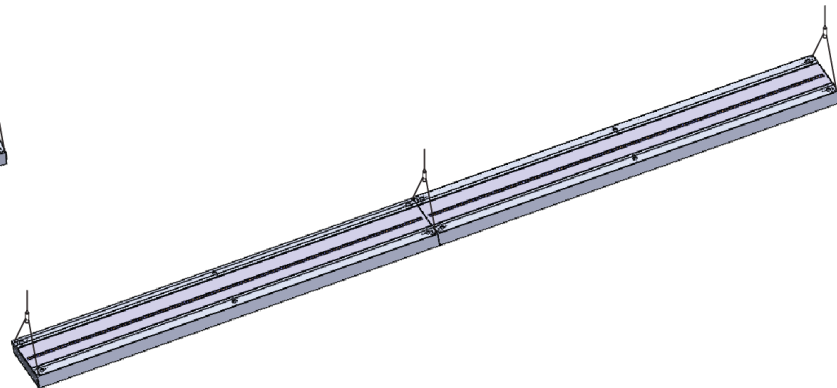


4. Lastly, reinstall module plates and lens to complete installation. Re-install module plates and lenses

SIDE LIT



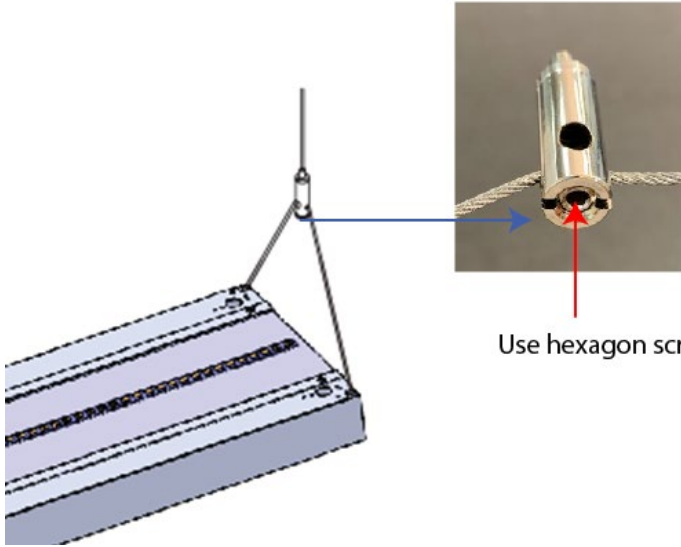
UP & DOWN LIT



12502-12113 INSTALLATION INSTRUCTIONS FOR PENDANT MOUNT

---

5. Level the runs by adjusting the Y-cable to complete installation.



Use hexagon screwdriver to adjust the level.